

B2368 Quick Start Guide

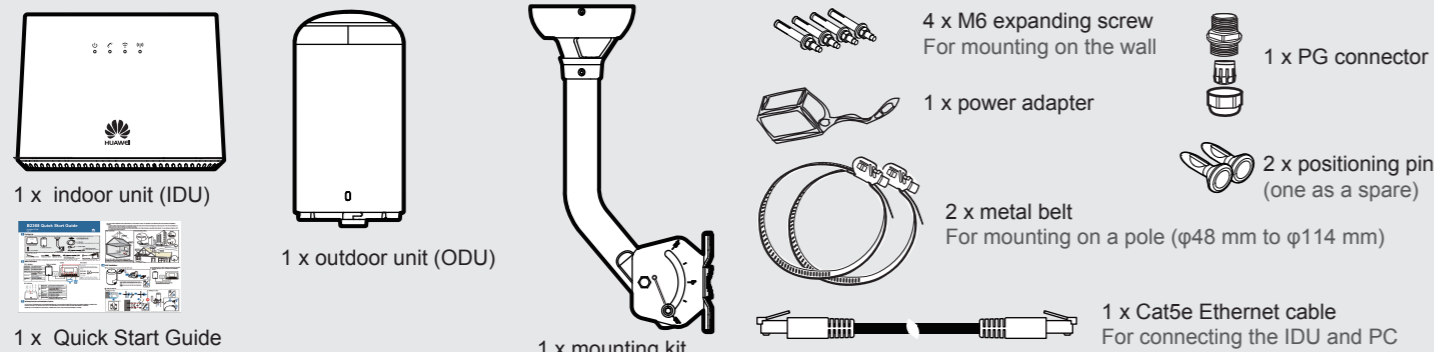
Part number: 31071064

Issue: 01

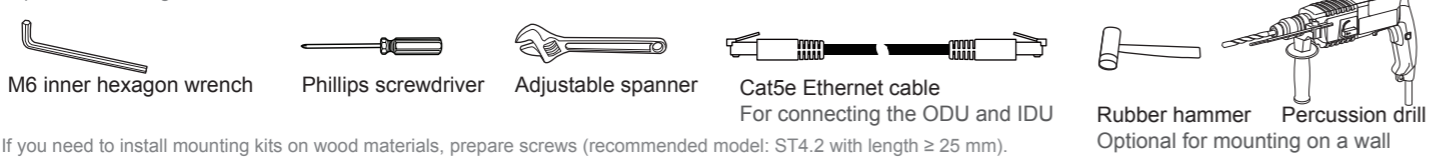


1 Packing List

Before installing the CPE, verify that you have all the items listed in the packing list. If any of the items is missing or damaged, contact your LTE device provider.



Prepare the following tools:



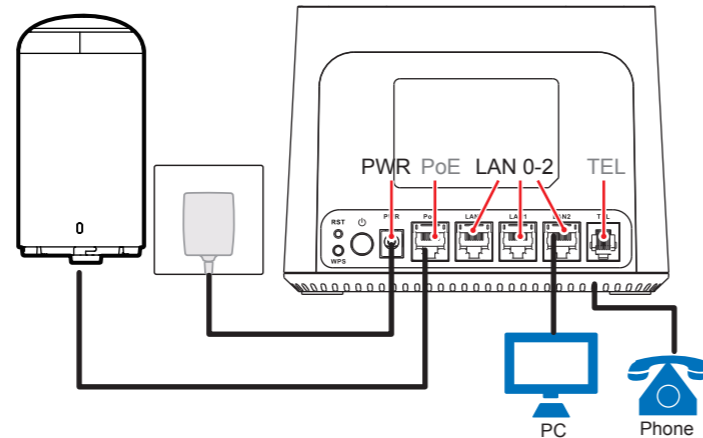
If you need to install mounting kits on wood materials, prepare screws (recommended model: ST4.2 with length ≥ 25 mm).

2 Basic Information

ODU indicators

| | |
|-----------------|--|
| Steady green | LTE signals are strong. |
| Blinking green | The ODU is starting. |
| Steady blue | LTE signals are medium. |
| Steady orange | LTE signals are weak. |
| Blinking orange | There is no LTE signal or the device is searching for LTE signals or disconnected. |
| Steady red | System error (such as PoE barrier and key module damage), SIM card fault, or an illegal SIM card |
| Blinking red | The ODU is upgrading. |
| Off | The LTE device is powered off. |

Cable connections



IDU indicators

| | | |
|--------------|-----------------|---|
| Power/System | Steady green | The LTE device is running properly. |
| Phone | Blinking green | The LTE device is booting up. |
| Wi-Fi/WPS | Steady red | The LTE device detects an error during self-testing, the device is faulty, or there is no SIM card. |
| LTE signal | Blinking red | The LTE device is upgrading firmware. |
| | Off | The LTE device is powered off. |
| | Steady green | LTE signals are strong. |
| | Steady blue | LTE signals are medium. |
| | Steady orange | LTE signals are weak. |
| | Blinking orange | There is no LTE signal, or the LTE device is receiving power and ready for use. |

IDU buttons

Reset button:
Press for 3s to 10s to reboot the device.
Press for more than 10s to restore factory settings.

Reset button: Power button

WPS button: Power button

WPS button:
Press for 1 second to enable or disable Wi-Fi.
Press for 10s to enable the WPS function.

3 Working Principle and Installation Position

An ODU is an LTE wireless signal receiving and transmission unit. You are advised to install ODUs in open areas without obstacles on suitable walls, balconies, and roofs. You can power on an ODU to test signal quality and choose a location with better signal quality for installation.

B2368 ODU can be installed at various locations, including planes, slopes, walls, and poles (horizontally or vertically).

You do not need to adjust the ODU angle thanks to a unique design of ODU. Pay attention to the following notes when selecting an installation location:

- An ODU must be within the lightning rod protection scope (45 degrees) to avoid being damaged by a lightning strike. If an ODU is installed on a rooftop, the ODU must be less than 2 m above the rooftop.
- ODU performance varies according to the installation position and nearby obstacles, especially metal objects. You are advised to install an ODU in an open area without obstacles.

Basic connection

Recommended locations

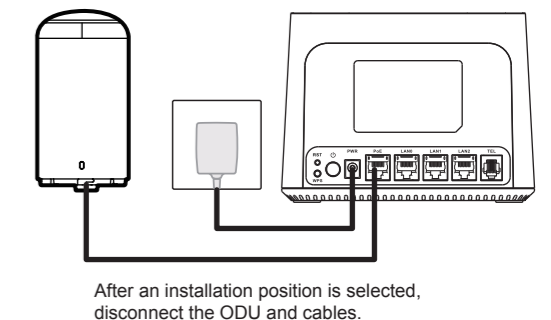
IDU and ODU cables can be routed outdoors through existing holes (such as those for air conditioning) on walls or windows, or through dedicated holes drilled professionally.

4 ODU Installation

1 Take out the ODU and insert a micro-SIM (3FF) card.

- Insert the SIM card in the direction shown in the above figure to avoid damages to the device or SIM card.
- Tighten screws to prevent water from entering the ODU.

2 Connect the ODU to IDU, and power on the ODU and IDU. Test LTE signals to select a suitable ODU installation location.



3 Install mounting kits.

Mounting on a wall

Recommended: φ8
40 mm to 45 mm

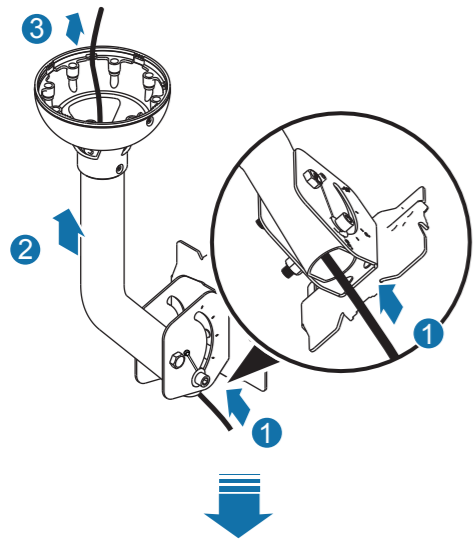
Maintain a horizontal position.

M6
7 N·m

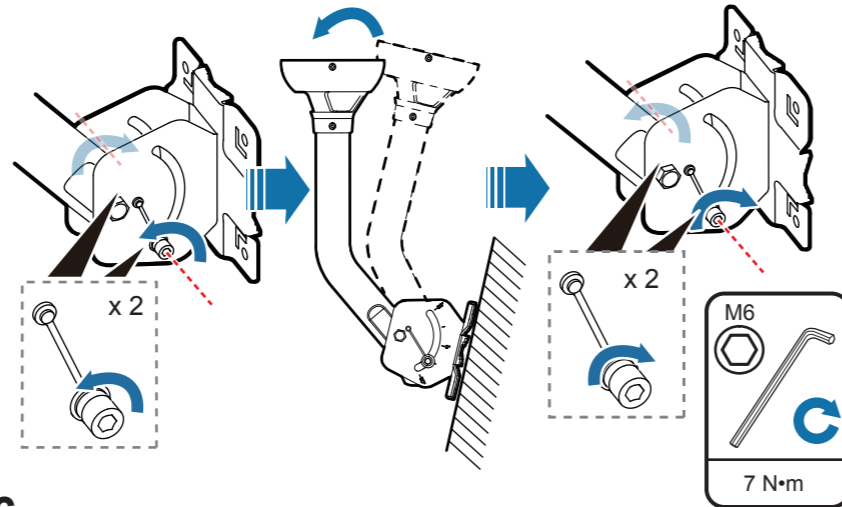
Mounting on a pole

M6
7 N·m

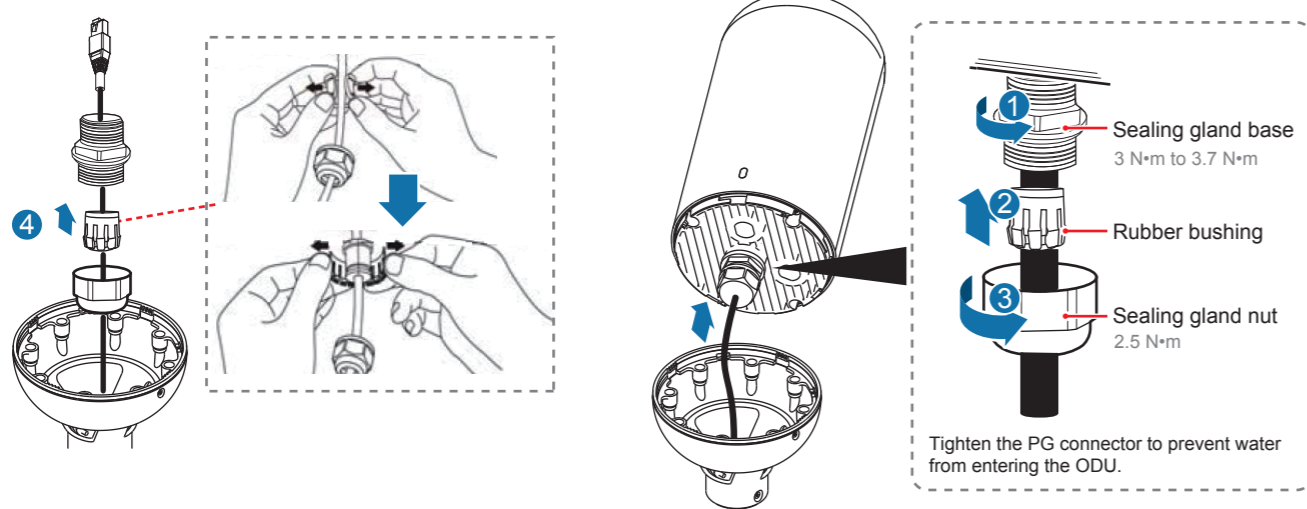
4 Route an Ethernet cable through the mounting kit and connect the cable to the ODU.



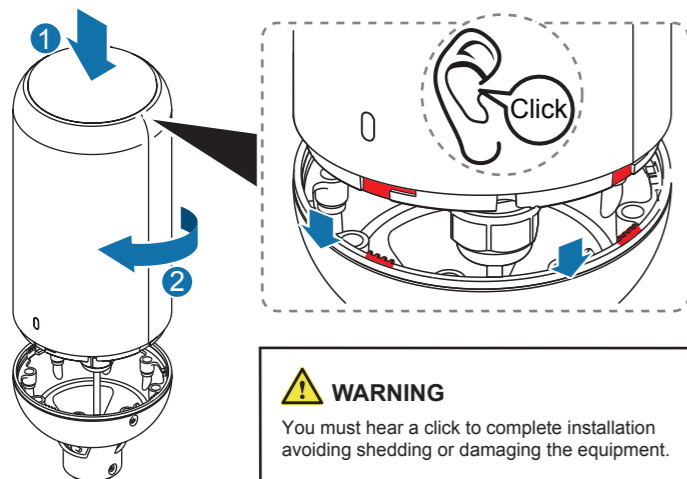
5 Adjust the angle to make the upper part vertical.



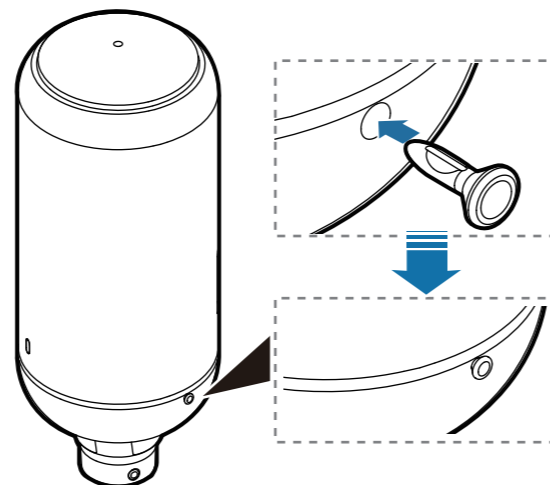
6 Connect the Ethernet cable to the ODU.



7 Align mounting kits and rotate the device clockwise in the arrow direction until it fully stops and you hear a click.



8 Insert a positioning pin to prevent the ODU from falling.



9 Connect IDU cables and power on the ODU and IDU.

Power on the ODU and IDU within 24 hours after unpacking. If you power off the ODU and IDU, restore power within 24 hours to prevent water from entering the equipment and affect the performance.



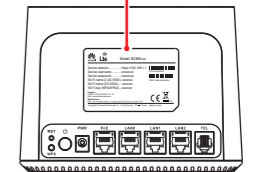
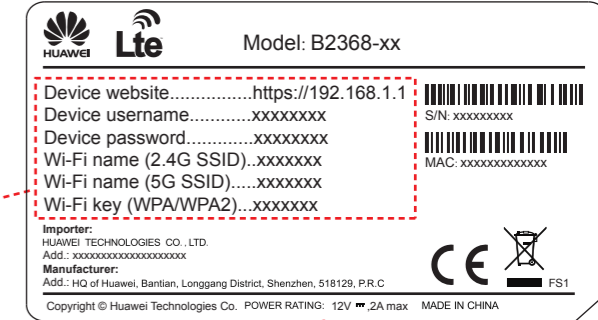
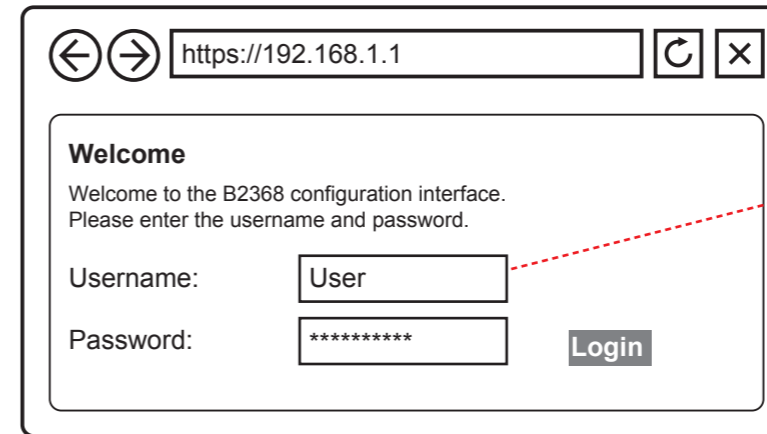
WARNING

Tighten the PG connector to prevent water from entering the ODU. Firmly install the ODU to avoid shedding and damages to human bodies or the equipment.

5 (Optional) CPE Configuration

Log in to the CPE using a PC.

If you need to change CPE configurations, log in to the device website using a web browser on a PC (for the device website, device username, and default password, see the IDU label).



Wi-Fi configuration:

Wi-Fi is enabled by default, and the default Wi-Fi name and password are provided on the IDU label. You are advised to keep the default Wi-Fi name and password unchanged. If you need to modify them, click **Network Setting > Wireless** or **Wireless 5G** after logging in to the device website to modify the 2.4G or 5G Wi-Fi name and password.

6 Services

1. Internet

You can connect the network port on the PC to the LAN port of the CPE to access the internet, or enable on the Wi-Fi function on a device that supports Wi-Fi access, and search for the Wi-Fi name of the CPE for access. The default Wi-Fi name and password of the CPE are provided on the IDU label.

2. Telephone

If you have subscribed to a voice service of the operator, connect the telephone to the TEL port on the CPE using a telephone line to make phone calls.

7 Safety Information

Wireless Devices

Do not use the device where using wireless devices is prohibited or may cause interference or danger.

Impact on Medical Equipment

- Radio waves generated by the device may interfere with the operation of electronic medical appliances. If such appliances are used, consult the manufacturer about the restrictions for using the device.
- Do not take the device into operating rooms, intensive care units (ICUs), or coronary care units (CCUs).

Areas with Inflammables and Explosives

- Do not use the device where inflammables or explosives are stored, for example, in a gas station, oil depot, or chemical plant. Follow the textual or symbolic instructions in these areas. Otherwise, explosions or fires may occur.
- Do not store or transport the device in containers with flammable liquids, gases, or explosives.

Children Safety

- Keep the device and its accessories out of the reach of children.
- Do not allow children to play with the device and its accessories to avoid dangers such as suffocation or choking.

Accessory Requirements

- NOTE: The accessories of the equipment include the power adapter, mounting kits, and Cat5e Ethernet cable.
- Using an unapproved or incompatible accessory may cause fire, explosion or other hazards.
 - Use only the accessories supplied or authorized by the device manufacturer. The use of any other types of accessories may affect the device performance, void the warranty, violate local regulations and laws, and may be dangerous.
 - Do not use the power adapter if its cable is damaged. Otherwise, electric shocks or fires may occur.
 - Ensure that the power adapter meets the specifications indicated on its nameplate.

Operating Environment

- Use the ODU at an ambient temperature of -40°C to 50°C and use the IDU at an ambient temperature of 0°C to 40°C. An overly high or low ambient temperature may cause device faults.
- Use the device at a humidity of 5% to 95%. An overly high or low ambient humidity may cause device faults.
- Do not install the device in areas exposed to acidic, alkaline, or other corrosive gases.
- Keep the device far from electronic appliances that generate strong magnetic or electric fields, such as a microwave oven or a refrigerator.
- Keep the device far from sources of heat and fire, such as a heater, a candle, or a microwave oven.
- Do not place any object (such as a candle or a water container) on the device to avoid risks caused by liquid leakage. If any foreign object or liquid enters the device, stop using the device immediately, power it off, remove all the connected cables, and then contact an authorized service center.
- Do not cover the device surface to ensure normal service operation.
- Keep the device stable to avoid personal injury or device damage.
- Do not use IDU outdoors.
- Protect IDU and its accessories against rain or damp to avoid fire or electric shock risks.
- The power supply voltage must meet the requirements for the input voltage of IDU.
- Do not trample, pull, or excessively bend any cable. Doing so may damage the cable, causing the device to malfunction.
- Do not use damaged or aged cables.
- Without authorization, no organization or individual can change the mechanical, safety, or performance design of the device.
- When using the CPE, observe all applicable laws and regulations and respect the legal rights of other people.

Cleaning and Maintenance

- If smoke, noise, or odor is emitted from the device, stop using and power off the device immediately, remove the power plug and connected cables. Contact the service provider for repair.
- Before you clean or maintain the device, stop using it, stop all applications, and disconnect all cables connected to it.
- Use a clean, soft, and dry cloth to clean the device shell. Do not use any chemical detergent, powder, or other chemical agents to clean the device.

Environmental Protection

- Do not dispose of the device and its accessories (if included) in a garbage can.
- Dispose of the device according to the local regulations on disposing of packing materials, exhausted batteries and abandoned devices. Support proper collection and recycling.

RoHS for Environment Protection

This device complies with 2011/65/EU (RoHS Directive) and other RoHS directives in other countries.

This device is restricted to use and put into service due to the need for a spectrum license and/or the conditions attached to authorization for the use of frequencies within all European Union countries (BE/BG/CZ/DK/DE/EE/IE/EL/ES/FR/HR/IT/CY/LV/LT/LU/HU/MT/NL/AT/PL/PT/RO/SI/SK/FI/SE/UK/TR/NO/CH/IS/LI). Restriction of indoor use.